

Sludge Barrier

SB4012 SB4024

Instruction Manual

Note

- Read this instruction manual carefully and thoroughly to have a full understanding.
- Be sure you fully understand instructions before handling Sludge Barrier.
- Always keep this instruction manual at a designated place, making the manual readily available when needed.

Handle carefully.

as this product is equipped with a strong magnet.

- DO NOT leave a watch or a precision instrument near this product.
- This product may stick with great force to an unexpected location while handling.

Limited Warranty

* **Mayfran International, Inc.** (hereinafter called we) shall repair Sludge Barrier only when the Sludge Barrier is defective. In that case, free-of-charge repair services shall be provided within 1 year from the date of shipping from us. We shall give its warranty only to this matter.

- We shall give no warranties, whether express or implied, except the warranty described on this instruction manual.
- We shall give no warranties when the product is used without having due regard.
- We shall assume no responsibility for direct and/ or indirect damage resulted from misuse or ill usage of Sludge Barrier.
- We shall assume no responsibility for damage resulted from the modification performed without our prior written consent.
- We shall assume no responsibility for damage or injury when the product is resold or transferred without this instruction manual.

IMPORTANT INFORMATION:

Instruction Manual Read this instruction manual before using Sludge Barrier SB4012 and SB4024

Thank you very much for your purchasing Sludge Barrier.

Please read this instruction manual thoroughly to use Sludge Barrier properly.

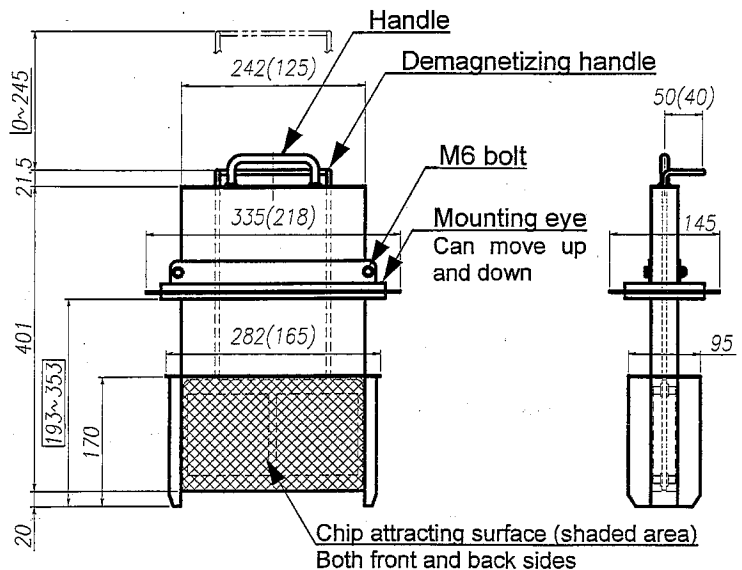
Please keep this instruction manual properly, and in the case that this product is transferred or lent out to a third party, always hand over this instruction manual as well.

—Content—

1. Directions for safety
2. Directions for the use
3. Protective gear
4. Repair
5. Disposal

1. Directions for safety

For the safe use of this product, always follow the instructions described in this manual to protect users, workers, and property against harm.



Outside dimensions of SB4024

(Figures in parentheses indicate dimensions of SB4012)



Warning

This notice indicates the danger where a worker may be killed or seriously injured when misusing in defiance of this notice.



Caution

This notice indicates the danger where a worker may be injured and/ or only property may be damaged when misusing in defiance of this notice.

WARNINGS

- Do not use on a slippery floor. Otherwise, a worker may tumble while at work and get injured.
- Do not strain your body in a poor posture for mounting and dismounting work. Otherwise, it may result in back pain and the like.
- Do not unhand while carrying and let it fall. Otherwise, it may cause a serious injury when hitting a human body, or damage property.

CAUTIONS

- Do not install on an unstable table or unsecured location at a high level. It may fall or tumble, which can result in injury.
- When using the demagnetizing handle, do not have your hand or finger caught between the handle and the main body, or the demagnetizing handle. Otherwise, it may result in injury.
- When using the demagnetizing handle, do not unhand it. Otherwise, your finger or hand would be caught between the handle and the main body, or the demagnetizing handle, which may result in injury.
- Do not unclasp the demagnetizing handle from on high. Otherwise, it may result in injury or damage on impact.
- Do not blow by air the chips adhered to the magnet. Otherwise, blown chips may get into an eye and the eye get injured.
- As this product is equipped with a magnet, do not leave a watch or a precision instrument near the product. Otherwise, the watch or the precision instrument may be broken.
- As this product is equipped with a magnet, it may be stuck to an unexpected location with great force, which may result in injury or damage on impact.

2. Directions for the use

- Find a good place to collect sludge easily, and install it.
- Always grip the handle when mounting or dismounting it.
- Always grip the handle, and do not grip the demagnetizing handle by mistake, when mounting or dismounting it. Otherwise, chips adhered to the magnet will fall down.
- Loosen the mounting eye (sliding type) bolt to adjust the installation position, and tighten the loosened bolt to fix it.
- Handle carefully in order not to give an impact. Otherwise, the magnet inside may be damaged.
- When removing the chips adhered to the magnet, grip the handle by hand and slowly lift the demagnetizing handle up. The spatula removes chips.
- Do not modify to use.

3. Protective gear

Wear proper work cloths when handling the magnet chip collector.

Always wear the following protective gear, which properly functions.

Safety goggles, safety shoes, cotton work gloves or rubber gloves, and a safety cap.

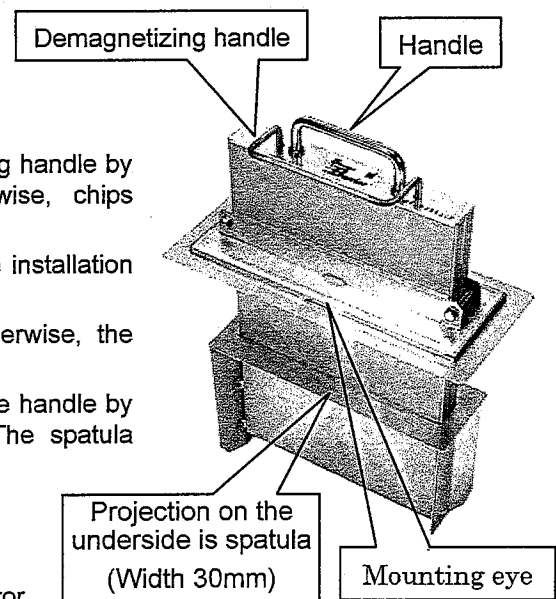
4. Repair

Call your sales agent when something goes wrong with the product in use.

Upon request, repair services are provided at cost to the customer.

5. Disposal

- Leave the disposal work to a specialized contractor.



CONVEYOR / SYSTEM INFORMATION

For PARTS, SERVICE, PRODUCT, or APPLICATION assistance, please visit Mayfran International at www.mayfran.com

CUSTOMER SERVICE / PARTS ORDERS:

If you have any questions or need to order parts, please contact Mayfran International at:

* Phone: 440-461-4100 / * Fax: 440-461-5565

* email: info@mayfran.com

* Hours: Monday through Friday, 8:00 am to 5:00 pm [EST]

PARTS ORDERING INSTRUCTIONS:

When ordering parts, please specify the following information:

1. **SERIAL NUMBER:** This is a seven character alpha-numeric designation typically located at the drive end of the equipment on the side opposite the drive system. NOTE: This is also the Mayfran order, or job number.
EXAMPLE: 08M3250
2. **PART NUMBER:** Specify the Mayfran PART NUMBER as indicated in this manual or as found on the drawings for a particular conveyor.
3. **QUANTITY:** Specify the number of parts required.
4. **NAME OF PART:** Provide the proper description, title, or name of the part as indicated in this manual or as found on the drawings for a particular conveyor.
5. **SHIPPING INSTRUCTIONS:** Specify complete shipping instructions such as: parcel post, truck, overnight air freight, 2nd day air freight, along with a requested ship date. When no instructions are provided, shipping method will be "best way", depending on the nature of the parts ordered and the urgency of the situation. ALL FREIGHT COSTS will be the responsibility of the customer. Typical freight terms will be COLLECT for shipments within the U.S. and EXWORKS for international shipments.
6. **DELIVERY ADDRESS:** Specify the complete destination address for the parts, including contact name and phone numbers. KINDLY NOTE: Parts can not be delivered to a POST OFFICE BOX.
7. **RETURNED PARTS:** New parts returned to the factory will be subject to a restocking charge billable to the customer, unless parts were sent by mistake from the factory. No part may be returned to the factory without prior written authorization from Mayfran in the form of a Returned Goods Authorization [RGA] number.
8. **SHORTAGE:** If any parts are missing, other than parts marked as "back order", call the factory immediately for assistance and resolution.



P. O. BOX 43038
6650 BETA DRIVE
CLEVELAND, OHIO 44143

PHONE: (440) 461-4100
FAX: (440) 461-5565